



TECHNICAL DATA

36 GALLON & 60 GALLON FOAM HOSE REEL STATIONS

The Viking Corporation, 210 N Industrial Park Drive, Hastings MI 49058

Telephone: 269-945-9501 Technical Services 877-384-5464 Fax: 269-818-1681 Email: techsvcs@vikingcorp.com

1. DESCRIPTION

The Chemguard Foam Fire Fighting Station is a self contained unit that relies only on water flow and pressure to place the system into operation. It is designed to be installed in a fixed location such as Helidecks, offshore processing, storage or handling areas where it is used to control fires or spills of flammable or combustible liquids. The unit is constructed in such a manner that one person may operate it to its full potential with the speed and effectiveness necessary in an emergency situation when foam is necessary. The units are capable of holding 36 gallons or 60 gallons of foam concentrate, has a 95 gpm in-line eductor pre-piped to a fixed mounted continuous flow hose reel containing 100' of 1-1/2" hard rubber hose, hand line nozzle with standard or pistol grip and ball shut off. All that is required to place the unit in operation is to fill the foam concentrate storage tank with the correct type and quantity of foam concentrate and connect a suitable water source to the inlet of the in-line eductor.

Features

- Nozzle is a non air-aspirating type, which has a better stream and gives a constant flow whether on straight stream or fog patterns.
- Painted Steel hose reel is mounted on top of tank. Galvanized steel available.
- Tank is supplied with 1/2" drain plug and 4" fill opening on top of tank.
- Tank can be refilled during operation of the unit.
- In-line eductor pickup tube has manual ball valve that can be closed so that unit can be used with water only.
- In-line eductor has variable metering valve 1% - 3% - 6%. Note: Coast Guard approved units for helidecks fixed at 3%
- Brass manifold with full-port ball valves.
- Suitable for use with any type foam concentrate.
- Available with NPSH or NST threaded hose and nozzles



2. LISTINGS AND APPROVALS

- USCG Approved (Except F15337)

Table 1: Part Numbers

Viking Part Number	Tank Size (Gal)	Foam	Approved for	Thread	Nozzle	Hose, Additional Information
F15336	36	3% AFFF	Approved for open deck to replace required FH Station	-	USCG approved nozzle	• UL-19 Flat fold fire hose in hose box
F15337	60	-	Not USCG Approved	NPSH	SB95P (USCG Approved)	• 1 - 100' x 1-1/2 hard rubber hose • 316 SST tank • 100' Galvanized hose reel • Brass by-pass manifold • CE95NPSH Eductor
F15338	60	3% AFFF	Approved for protection of helicopter landing pads without refueling facilities on mobile off shore drilling units. And for use as required fire main system equip.	NPSH	Standard Grip	• 1-1/2 x 100' USCG Hose
F15339	60	3% AFFF		NPSH	Pistol Grip	• 1-1/2 x 100' USCG Hose
F15340	60	3% AFFF		NST	Standard Grip	• 1-1/2 x 100' USCG Hose
F15341	60	3% AFFF		NST	Pistol Grip	• 1-1/2 x 100' USCG Hose
F15342	60	3% AR-AFFF		NPSH	Standard Grip	• 1-1/2 x 100' Hose
F15343	60	3% AR-AFFF		NPSH	Pistol Grip	• 1-1/2 x 100' Hose
F15344	60	3% AR-AFFF		NST	Standard Grip	• 1-1/2 x 100' Hose
F15345	60	3% AR-AFFF		NST	Pistol Grip	• 1-1/2 x 100' Hose



TECHNICAL DATA

36 GALLON & 60 GALLON FOAM HOSE REEL STATIONS

The Viking Corporation, 210 N Industrial Park Drive, Hastings MI 49058

Telephone: 269-945-9501 Technical Services 877-384-5464 Fax: 269-818-1681 Email: techsvcs@vikingcorp.com

3. TECHNICAL DATA

Specifications:

Eductor Inlet Flow Rate: 95 gpm @ 200 psi

Nozzle Flow Rate: 95 gpm @ 100 psi

Material Standards:

Storage Tank: 316 stainless steel or painted steel

Hose Reel: Painted Steel or Galvanized Steel

Ordering Information:

- Unit can be supplied with fiberglass foam concentrate storage tank.
- Other size in-line eductors and nozzle selections available.
- Custom design systems available with tanks in various capacities, two or more in-line eductors and hose reels.

Viking Technical Data may be found on
The Viking Corporation's Web site at
<http://www.vikinggroupinc.com>.
The Web site may include a more recent
edition of this Technical Data Page.

4. INSTALLATION

If the unit is to be used with any of the AR-AFFF type foam concentrates, it is recommended that a thin layer of mineral oil be placed on the surface of the concentrate to minimize evaporation.

5. INSPECTIONS, TESTS AND MAINTENANCE

NOTICE: The owner is responsible for maintaining the fire protection system and devices in proper operating condition. For minimum maintenance and inspection requirements, refer to recognized standards such as those produced by NFPA, LPC, and VdS which describe care and maintenance of sprinkler systems. In addition, the "Authority Having Jurisdiction" may have additional maintenance, testing and inspection requirements which must be followed.

WARNING: Any system maintenance or testing which involves placing a control valve or detection system out of service may eliminate the Fire Protection of that system. Prior to proceeding, notify all Authorities Having Jurisdiction. Consideration should be given to employment of a Fire Patrol in the affected area.

6. AVAILABILITY

Viking Foam Products are available through a network of domestic and international distributors. See the Viking web site for closest distributor or contact The Viking Corporation.

7. GUARANTEE

For details of warranty, refer to Viking's current list price schedule or contact Viking directly.

	<h1 style="margin: 0;">TECHNICAL DATA</h1>	<h2 style="margin: 0;">36 GALLON & 60 GALLON FOAM HOSE REEL STATIONS</h2>
---	--	---

The Viking Corporation, 210 N Industrial Park Drive, Hastings MI 49058
 Telephone: 269-945-9501 Technical Services 877-384-5464 Fax: 269-818-1681 Email: techsvcs@vikingcorp.com

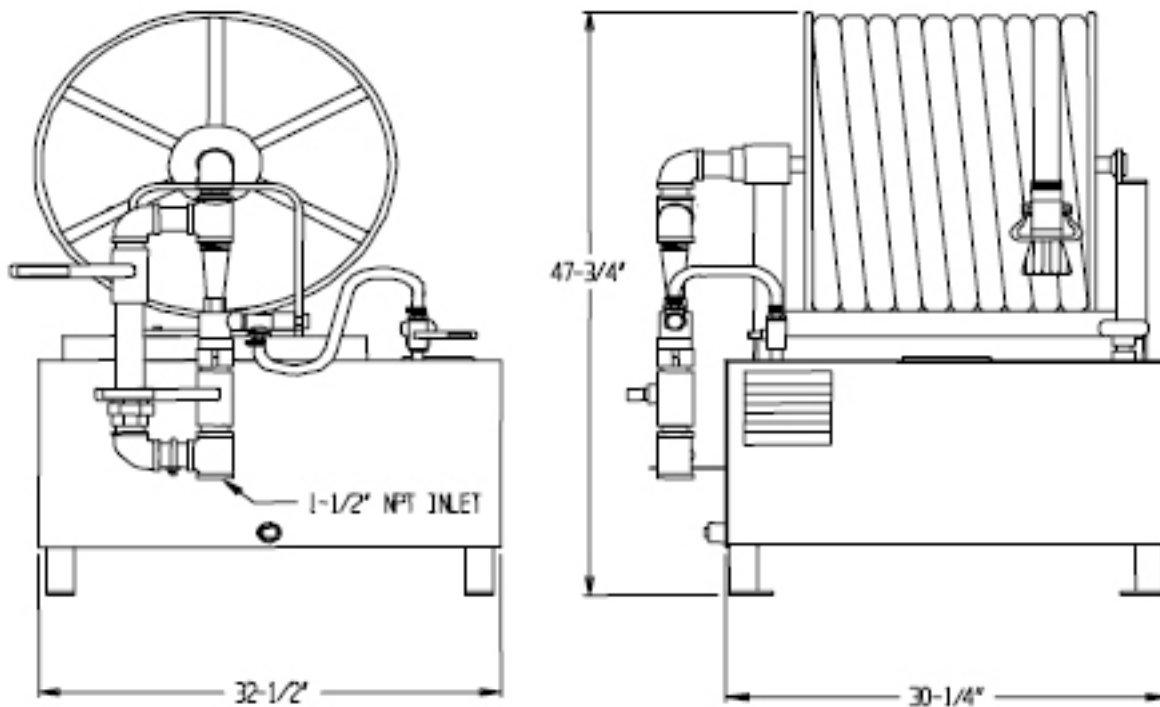


Figure 1: Dimensions

Table 2: Weight			
	Dry Weight	Shipping Weight	Weight with Foam Concentrate
36 Gallon Unit	120 lbs (54.4 kg)	170 lbs. (77.1 kg)	443 lbs. (200.9 kg)
60 Gallon Unit	385 lbs (175 kg)	435 lbs. (198 kg)	890 lbs. (404.5 kg)

**THIS PAGE INTENTIONALLY
LEFT BLANK**