



by Tyco Fire Suppression & Building Products

FM-200® SYSTEMS

Removable Electrical Actuator (0.2A)

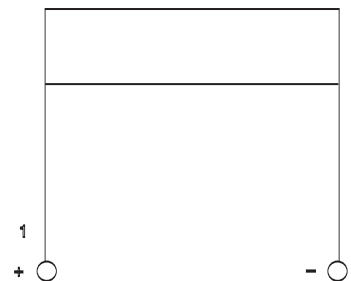
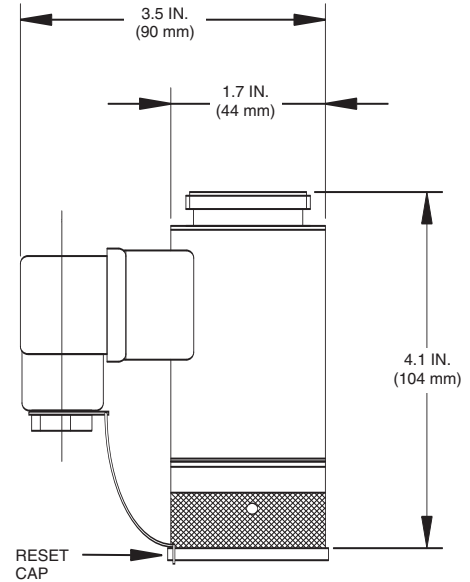
The removable electrical actuator mounts to the top of the tank valve. 24v dc is required for solenoid operation. Provision is made for the connection of a manual strike knob to the top of the actuator assembly.

- ▶ Remove reset cap prior to installation by holding plastic cap and rotating knurled brass nut. To reset actuator, reverse the above procedure ensuring plastic cap is flush with knurled brass nut.

Specifications

Body	Mild Steel & Dull Nickel
Actuation Pin	Stainless Steel
Actuation Type	Latching
Reset Requirements	Manual force required, cap attached
Connection	1 in. BSPP
Power Requirement	24v dc
Current	0.2A
Manual Actuation Force	11.0 lb (5 kgf)
Electrical Connection	3 pin plug connector
Diode Type	Suppression
Life Span	10 years from manufacture
Testing	100% Check on start/finish position
Approvals	UL, ULC, FM
Swivel Nut	Brass CZ121

▶ Part No. 570537



007489