



## TECHNICAL DATA

### DELUGE VALVE, MODEL F-1 STRAIGHT THROUGH STYLE 2-1/2" (DN65) - 8" (DN200)

The Viking Corporation, 210 N Industrial Park Drive, Hastings MI 49058

Telephone: 269-945-9501 Technical Services: 877-384-5464 Fax: 269-818-1680 Email: techsvcs@vikingcorp.com

#### 1. DESCRIPTION

The Viking Model F-1 Deluge Valve is a quick opening, differential diaphragm and flood valve with one moving mechanism. The Deluge Valve is used to control water flow in Deluge and Preaction sprinkler systems. The valve is held closed by system water pressure trapped in the priming chamber; keeping the outlet chamber and system piping dry. In fire conditions, when the releasing system operates, pressure is released from the priming chamber. The Deluge Valve clapper opens to allow water to flow into the system piping.

##### Features:

1. Field replaceable Diaphragm and Seat Rubbers
2. Designed for installation in the horizontal or vertical position
3. Designed to be reset without opening the valve
4. Compatible with Hydraulic, Pneumatic and/or Electric Release Systems

**NOTE: FOR PART NUMBERS OF ACCESSORIES, REFER TO VIKING LIST PRICE SCHEDULE.**



#### 2. LISTINGS AND APPROVALS:

U.L. Listed - Guide No. VLFT & VLJH

C-UL Listed

FM Approved - Deluge Sprinkler Systems, Preaction Sprinkler Systems, Refrigerated Area Sprinkler Systems

American Bureau of Shipping (ABS) - Certificate No. 05-HS502910C-PDA

NYC Department of Buildings - MEA 89-92-E Vol XXXI

CE - Pressure Equipment Directive 97/23/EC

#### 3. TECHNICAL DATA

##### Specifications:

Maximum Working Water Pressure: 250 PSI (17.4 bar)

Style: Straight through

Connections: See Table 1.

Factory tested: to 500 psi (34.5 bar)

Valve differential: 2:1 (priming chamber to inlet chamber)

Priming chamber supply restriction (required): 0.0625" (1.6 mm)

Color of Valve: Red

Friction loss: Refer to Table 1.

Cv Factor: Refer to Table 1.

##### Material Standards:

Refer to Figure 2.

##### Ordering Information:

Part Numbers - Refer to Table 1

8" - Manufactured since 2002

4" & 6" - Manufactured since 2003

2-1/2" & 3" - Manufactured since 2004

##### ACCESSORIES:

Refer to Current VIKING PRICE LIST for Part Numbers.

1. A Conventional Trim package for use with the Model F-1 Deluge Valve. The trim package includes the VALVE ACCESSORY PACKAGE and the fittings and nipples shown on the Viking Deluge Valve Conventional Trim Chart Trim Chart for the valve used. Trim Charts are provided in trim packages and the *Viking Engineering and Design Data* book. For optional factory assembled "modular" trim packages, refer to the Viking list price schedule or contact the manufacturer.
2. A Deluge VALVE ACCESSORY PACKAGE includes required trim components. This package is needed when Viking Trim Packages are not used.
3. Auxiliary Components are required for specific valve functions. For complete operating trim requirements, refer to system data for the system used. System data is provided in the *Viking Engineering and Design Data* book.

Additional accessories are available and may be required for system operation or supervision. Refer to the system description and technical data for complete operating trim requirements for the system used.

Viking Technical Data may be found on  
The Viking Corporation's Web site at  
<http://www.vikinggroupinc.com>.  
The Web site may include a more recent  
edition of this Technical Data Page.



# TECHNICAL DATA

**DELUGE VALVE, MODEL F-1  
STRAIGHT THROUGH STYLE**  
2-1/2" (DN65) - 8" (DN200)

The Viking Corporation, 210 N Industrial Park Drive, Hastings MI 49058

Telephone: 269-945-9501 Technical Services: 877-384-5464 Fax: 269-818-1680 Email: techsvcs@vikingcorp.com

DESCRIPTION	Nominal Size	Part Number	Friction Loss*	Cv Factor	Shipping Weight
<b>Threaded</b>					
Pipe O.D. NPT 65 mm	2 1/2"	12401	12 ft. (3.6 m)	155	67 lbs. (30 kg)
<b>Flange/Flange</b>					
<b>Flange Drilling</b>					
ANSI	3"	12014	12 ft. (3.6 m)	155	82 lbs. (37 kg)
ANSI	4"	11953	21 ft. (6.5 m)	428	146 lbs. (66 kg)
ANSI	6"	11955	39 ft. (11.9 m)	839	271 lbs. (123 kg)
ANSI	8"	11991	57 ft. (17.4 m)	1577	466 lbs. (212 kg)
ANSI/Japan	6"	11964	39 ft. (11.9 m)	839	271 lbs. (123 kg)
PN10/16	DN80	12026	12 ft. (3.6 m)	155	82 lbs. (37 kg)
PN10/16	DN100	11965	21 ft. (6.5 m)	428	127 lbs. (58 kg)
PN10/16	DN150	11956	21 ft. (6.5 m)	839	127 lbs. (58 kg)
PN10	DN200	11995	57 ft. (17.4 m)	1577	418 lbs. (190 kg)
PN16	DN200	11999	57 ft. (17.4 m)	1577	466 lbs. (212 kg)
<b>Flange/Groove</b>					
<b>Flange Drilling / Pipe O.D.</b>					
ANSI / 89 mm	3"	12018	12 ft. (3.6 m)	155	75 lbs. (34 kg)
ANSI / 114 mm	4"	11952	21 ft. (6.5 m)	428	136 lbs. (62 kg)
ANSI / 168 mm	6"	11954	39 ft. (11.9 m)	839	261 lbs. (118 kg)
PN10/16 / 89 mm	DN80	12030	12 ft. (3.6 m)	155	75 lbs. (34 kg)
PN10/16 / 114 mm	DN100	11958	21 ft. (6.5 m)	428	136 lbs. (62 kg)
PN10/16 / 165 mm	DN150	12640	39 ft. (11.9 m)	839	261 lbs. (118 kg)
PN10/16 / 168 mm	DN150	11954	39 ft. (11.9 m)	839	261 lbs. (118 kg)
<b>Groove/Groove</b>					
<b>Pipe O.D.</b>					
73 mm	2 1/2" / DN65	12403	12 ft. (3.6 m)	155	67 lbs. (30 kg)
76 mm	DN80	12729	12 ft. (3.6 m)	155	67 lbs. (30 kg)
89 mm	3" / DN80	12022	12 ft. (3.6 m)	155	64 lbs. (29 kg)
114 mm	4" / DN100	11513	21 ft. (6.5 m)	428	127 lbs. (58 kg)
165 mm	DN150	11910	39 ft. (11.9 m)	839	245 lbs. (111 kg)
168 mm	6" / DN150	11524	39 ft. (11.9 m)	839	245 lbs. (111 kg)
219 mm	8" / DN200	11018	57 ft. (17.4 m)	1577	403 lbs. (183 kg)

$$Q = C_v \sqrt{\frac{\Delta P}{S}}$$

Q= Flow  
 Cv= Flow Factor (GPM/1 PSI ΔP)  
 ΔP= Pressure Loss through Valve  
 S= Specific Gravity of Fluid

**Table 1 - Valve  
Part Numbers and  
Specifications**

\*Expressed in equivalent length of Schedule 40 pipe based on Hazen & Williams C=120

## 4. INSTALLATION (Refer to Figure 1 identification of trim components.)

### A. General Instruction

1. Viking Straight Through Deluge Valves may be installed in the horizontal or vertical position.
2. The valve must be installed in an area not subject to freezing temperatures or physical damage.
3. The valve must be trimmed according to current Viking Trim Charts and appropriate instructions for the system used. Trim Charts are printed in the *Viking Engineering and Design Data* book, and are provided with trim packages.
  - a. Remove all plastic protectors from the openings of the Deluge Valve.
  - b. Apply a small amount of pipe joint compound or tape to the external threads of all pipe connections required. Take care not to allow any compound, tape, or other foreign matter inside any of the nipples or openings of the valve or trim components.
  - c. Viking Model F-1 Deluge Valve Conventional Trim Charts are provided with Trim Packages and in the *Viking Engineering and Design Data* book.
  - d. Verify that all system components are rated for the water working pressure of the system.

### Hydrostatic Test:

The Model F-1 Deluge Valve is manufactured and listed for use at a maximum Water Working Pressure of 250 PSI (17.2 bar). The valve is factory tested at 500 PSI (34.5 bar). Model F-1 Deluge Valves may be hydrostatically tested at 300 PSI (20.7 bar) and/or 50 PSI (3.4 bar) above the normal Water Working Pressure, for limited periods of time (two hours), for the purpose of acceptance by the Authority Having Jurisdiction. If air testing is required, do not exceed 60-PSI (4.1 bar) air pressure.

**NOTE: NEVER CONDUCT THE HYDROSTATIC TEST AGAINST THE PRESSURE OPERATED RELIEF VALVE. (P.O.R.V.) TEMPORARILY REMOVE THE P.O.R.V. FROM THE TRIM AND PLUG TRIM OPENINGS WHILE CONDUCTING THE HYDROSTATIC TEST.**

**TRIM NOTE: DISCHARGE PIPING FROM THE AUXILIARY DRAIN VALVE, THE FLOW TEST VALVE, AND ALL SYSTEM DRAINS SHOULD BE KEPT SEPARATE. DO NOT CONNECT THE OUTLET OF THE DRIP CHECK TO ANY OTHER DRAIN.**

4. The priming line must be connected upstream of the system water supply main control valve or to a constant source of water at a pressure equal to the system water supply.



## TECHNICAL DATA

**DELUGE VALVE, MODEL F-1  
STRAIGHT THROUGH STYLE**  
2-1/2" (DN65) - 8" (DN200)

The Viking Corporation, 210 N Industrial Park Drive, Hastings MI 49058

Telephone: 269-945-9501 Technical Services: 877-384-5464 Fax: 269-818-1680 Email: techsvcs@vikingcorp.com

5. After the Deluge Valve is set, operation of the Deluge Valve requires the release of priming water from the priming chamber. This may be by automatic or manual operation of the release system. Viking Deluge Valves are compatible with hydraulic, pneumatic, and electric release systems. For specific Trim arrangements refer to Trim Charts and System Data describing the system being installed. Trim Charts are printed in the *Viking Engineering and Design Data* book, and are provided with trim packages. System Data sheets are printed in the *Viking Engineering and Design Data* book.
  - a. Hydraulic Release Systems: See Figures 3-6 for the maximum allowable elevation of hydraulic release piping above the Deluge Valve. If the maximum height of hydraulic release piping exceeds the limit shown in Figures 3-6 for the valve used, use a Pneumatic or Electric Release System.
  - b. Pneumatic Release Systems: A Viking Pneumatic Actuator is required between the release system connection provided on deluge valve trim and pneumatic release system piping.
  - c. Electric Release Systems: Solenoid Valves, System Control Panels, and Electrical Detectors must be compatible. Consult appropriate listing and/or approval guides.

**NOTE: FOR OPERATION AT WATER PRESSURES IN EXCESS OF 175 PSI (12.1 BAR), A 250 PSI (17.2 BAR) RATED SOLENOID VALVE MUST BE USED. REFER TO APPROPRIATE VIKING TECHNICAL DATA PAGE FOR TYPE OF SYSTEM USED.**

**CAUTION: OPERATION OF VIKING DELUGE VALVES BY PRESSURIZING THE PRIMING CHAMBER WITH AIR PRESSURE OR ANY OTHER PRESSURIZED GAS IS NOT RECOMMENDED OR APPROVED.**

### B. Placing the Valve in Service

For Deluge Valves equipped with Conventional Deluge Valve Trim, follow steps 1 through 10 (and 11 & 12 if applicable) below.

1. Verify:
  - a. The system Main Water Supply Control Valve (D.1) is closed and the Deluge Valve is trimmed according to current Viking Trim Charts and schematic drawings for the system used.
  - b. The system has been properly drained.
  - c. Auxiliary Drain (B.13) is open.
  - d. The Emergency Release (B.9) is closed.
  - e. The system water supply piping is pressurized up to the closed Main Water Supply Control Valve (D.1) and the priming line is pressurized up to the closed Priming Valve (B.1).
2. For Systems equipped with:
  - a. Hydraulic Release Systems:
    - i. Verify that all releasing devices are set and that any Inspector's Test Valve and/or auxiliary drain valves are closed.
    - ii. Open Priming Valve (B.1). Allow the hydraulic release system to fill. When priming pressure gauge (B.7) indicates that the release piping and priming chamber pressure is equal to system supply pressure, proceed to step 3.
    - iii. Proceed to step 3.
  - b. Pneumatic Release Systems:
    - i. Set the release system.
    - ii. Open Priming Valve (B.1).
    - iii. Proceed to step 3.
  - c. Electric Release Systems:
    - i. Open Priming Valve (B.1).
    - ii. Set the electric release system.
    - iii. Proceed to step 3.
3. Open Flow Test Valve (B.11).
4. Partially open Main Water Supply Control Valve (D.1).
5. When full flow develops from the Flow Test Valve (B.11), close the Flow Test Valve. Verify that there is no flow from the open Auxiliary Drain (B.13).
6. Close Auxiliary Drain (B.13).
7. Fully open and secure the Main Water Supply Control Valve (D.1).
8. Verify that the Alarm Shut-off Valve (B.6) is open and that all other valves are in their normal\*\* operating position.
9. Depress the plunger of Drip Check (B.14). No water should flow from the Drip Check when the plunger is pushed.
10. Check for, and repair all leaks.
11. On new installations, those systems that have been placed out of service, or where new equipment has been installed, trip test the system to verify that all equipment functions properly. Refer to INSPECTION, TESTS AND MAINTENANCE paragraph 6-II-C: ANNUAL Trip Test instructions.

**CAUTION! PERFORMING A TRIP TEST RESULTS IN OPERATION OF THE DELUGE VALVE. WATER WILL FLOW INTO THE SPRINKLER PIPING. TAKE NECESSARY PRECAUTIONS TO PREVENT DAMAGE.**

12. After completing a trip test, perform SEMI-ANNUAL maintenance.

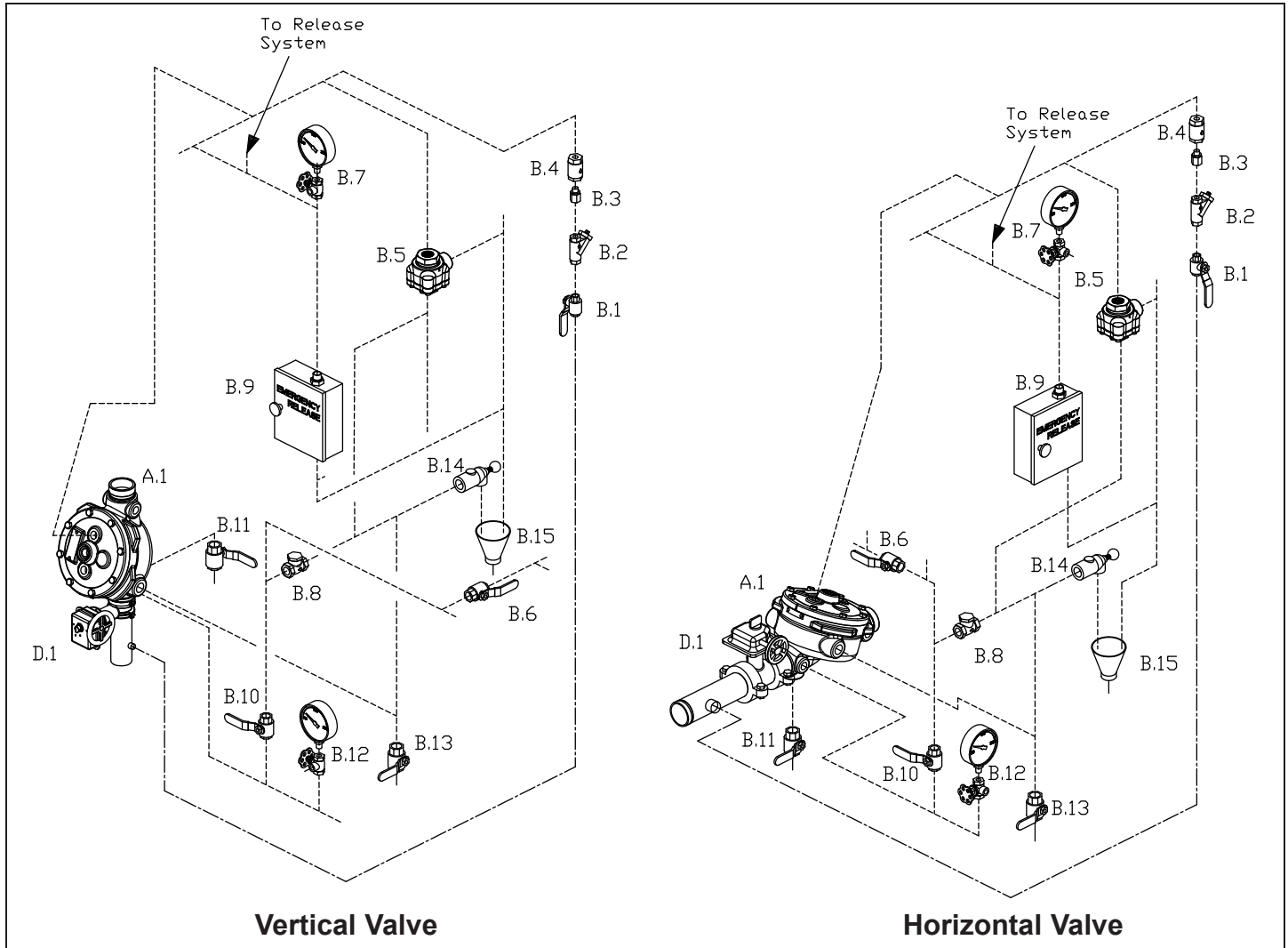


# TECHNICAL DATA

## DELUGE VALVE, MODEL F-1 STRAIGHT THROUGH STYLE 2-1/2" (DN65) - 8" (DN200)

The Viking Corporation, 210 N Industrial Park Drive, Hastings MI 49058

Telephone: 269-945-9501 Technical Services: 877-384-5464 Fax: 269-818-1680 Email: techsvcs@vikingcorp.com



----- Dashed lines indicate nipples and fittings included with trim.  
 - - - - - Phantom lines indicate piping required, but not included with trim.

**Figure 1 - Conventional Trim Components**

- |     |  |      |   |
|-----|--|------|---|
| A.1 | Deluge Valve                           | B.9  | Emergency Release                           |
| B.1 | Priming Valve (Normally Open)          | B.10 | Alarm Test Valve (Normally Closed)          |
| B.2 | Strainer                               | B.11 | Flow Test Valve (Normally Closed)           |
| B.3 | 1/16" Restricted Orifice               | B.12 | Water Supply Pressure Water Gauge and Valve |
| B.4 | Spring Loaded Check Valve              | B.13 | Auxiliary Drain Valve (Normally Closed)     |
| B.5 | Pressure Operated Relief Valve (PORV)  | B.14 | Drip Check Valve                            |
| B.6 | Alarm Shut Off Valve (Normally Open)   | B.15 | Drain Cup                                   |
| B.7 | Priming Pressure Water Gauge and Valve | D.1  | Water Supply Control Valve                  |
| B.8 | Drain Check Valve                      |      |   |



## TECHNICAL DATA

**DELUGE VALVE, MODEL F-1  
STRAIGHT THROUGH STYLE**  
2-1/2" (DN65) - 8" (DN200)

The Viking Corporation, 210 N Industrial Park Drive, Hastings MI 49058

Telephone: 269-945-9501 Technical Services: 877-384-5464 Fax: 269-818-1680 Email: techsvcs@vikingcorp.com

### C. Valve Removed From Service

**NOTE: WHEN A VALVE HAS BEEN REMOVED FROM SERVICE AND IS SUBJECT TO FREEZING OR WILL BE OUT OF SERVICE FOR AN EXTENDED PERIOD OF TIME, ALL WATER MUST BE REMOVED FROM THE PRIMING CHAMBER, TRIM PIPING, WATER SUPPLY PIPING AND OTHER TRAPPED AREAS.**

## 5. OPERATION (Refer to Figure 2.)

The Viking Model F-1 Deluge Valve has an inlet chamber, an outlet chamber and a priming chamber. The inlet chamber and outlet chamber are separated from the priming chamber by the clapper (5) and diaphragm (6).

### In the set condition:

System pressure is supplied to the priming chamber through a restricted priming line (trim) equipped with a check valve. System water supply pressure trapped in the priming chamber holds the clapper (5) on seat (2) due to area differential design. Clapper (5) separates the inlet chamber from the outlet chamber, keeping the outlet chamber and system piping dry.

### In fire conditions:

When the release system operates, pressure is released from the priming chamber faster than it is supplied through the restricted priming line. Water supply pressure in the inlet chamber forces the clapper (5) off from seat (2), allowing water to flow through the outlet and into the system and alarm devices.

### For Deluge Valves equipped with Conventional Trim:

When the deluge valve operates, the air side of the PORV loses pressure, causing the PORV to operate. When the PORV operates, it continually vents the priming chamber to prevent the deluge valve from resetting even if the open releasing devices close. The deluge valve can only be reset after the system is taken out of service, and the outlet chamber of the deluge valve and associated trim piping is depressurized and drained.

## 6. INSPECTIONS, TESTS AND MAINTENANCE

### I. Inspection

It is imperative that the system is inspected and tested on a regular basis. The frequency of the inspections may vary due to contaminated water supplies, corrosive water supplies or corrosive atmospheres. Also, the alarm devices, detection systems or other connected trim may require a more frequent schedule. For minimum maintenance and inspection requirements, refer to NFPA 25. In addition, the Authority Having Jurisdiction may have additional maintenance, testing, and inspection requirements that must be followed. The following recommendations are minimum requirements. (For additional information, refer to Viking Trim Charts and System Data describing systems with the release system used.)

#### A. Weekly:

Weekly visual inspection of the Viking Deluge Valve is recommended.

1. Verify that the Main Water Supply Control Valve (D.1) is open and that all other valves are in their normal\*\* operating position and appropriately secured.
2. Check for signs of mechanical damage, leakage, and/or corrosive activity. If detected, perform maintenance as required. If necessary, replace the device.
3. Verify that the valve and trim are adequately heated and protected from freezing and physical damage.

### II. Tests

#### A. Quarterly Water Flow Alarm Test

1. Notify the Authority Having Jurisdiction and those in the area affected by the test.
2. To test the local electric alarm (if provided) and/or mechanical water motor alarm (if provided), OPEN the alarm test valve (B.10) in the deluge valve trim.
  - a. Electric alarm pressure switches (if provided) should activate.
  - b. Electric local alarms should be audible.
  - c. The local water motor gong should be audible.
  - d. If equipped with remote station alarm signaling devices, verify that alarm signals were received.
3. When testing is complete, CLOSE the alarm test valve (B.10).
4. Verify:
  - a. All local alarms stop sounding and alarm panels (if provided) reset.
  - b. All remote station alarms reset.
  - c. Supply piping to water motor alarm properly drains.
5. Verify that the alarm shut-off valve (B.6) is OPEN, and the alarm test valve (B.10) is CLOSED.
6. Verify that the outlet chamber is free of water. No water should flow from the drip check (B.14) when the plunger is pushed.
7. Notify the Authority Having Jurisdiction and those in the affected area that testing is complete.



## TECHNICAL DATA

**DELUGE VALVE, MODEL F-1  
STRAIGHT THROUGH STYLE**  
2-1/2" (DN65) - 8" (DN200)

The Viking Corporation, 210 N Industrial Park Drive, Hastings MI 49058

Telephone: 269-945-9501 Technical Services: 877-384-5464 Fax: 269-818-1680 Email: techsvcs@vikingcorp.com

### B. Quarterly Main Drain Test

1. Notify the Authority Having Jurisdiction and those in the area affected by the test.
2. Record pressure reading from the water supply pressure gauge (B.12).
3. Verify that the outlet chamber of the deluge valve is free of water. No water should flow from the drip check (B.7) when the plunger is pushed.
4. Fully OPEN the flow test valve (B.11).
5. When a full flow is developed from the flow test valve (B.11), record the residual pressure from the water supply pressure gauge (B.12).
6. When the test is complete, SLOWLY CLOSE the flow test valve (B.11).
7. Compare test results with previous flow information. If deterioration of the water supply is detected, take appropriate steps to restore adequate water supply.
8. Verify:
  - a. Normal water supply pressure has been restored to the inlet chamber, the priming chamber, and the release system. The pressure on the priming chamber water pressure gauge should equal the system water supply pressure.
  - b. All alarm devices, and valves are secured in normal\*\* operating position.
9. Notify the Authority Having Jurisdiction that the test is complete. Record and/or provide notification of test results as required by the Authority Having Jurisdiction.

\*\* For normal operating position, refer to Figure 1 and/or Trim Charts and System Data for the system used.

### C. Annual Trip Test:

**CAUTION! PERFORMING THIS TEST RESULTS IN OPERATION OF THE DELUGE VALVE. WATER WILL FLOW INTO THE SPRINKLER PIPING AND FROM ANY OPEN SPRINKLERS AND/OR NOZZLES. TAKE NECESSARY PRECAUTIONS TO PREVENT DAMAGE.**

1. Notify the Authority Having Jurisdiction and those in the area affected by the test.
2. Fully open the flow test valve (B.11) to flush away any accumulation of foreign material.
3. Close the flow test valve (B.11).
4. Trip the system by operating the release system. Allow a full flow to pass through the deluge valve. Water flow alarms should operate.
5. When test is complete:
  - a. Close the main water supply control valve (D.1).
  - b. Close the priming valve (B.1).
  - c. Open the auxiliary drain valve (B.13).
  - d. Open all system main drains and auxiliary drains. Allow the system to drain completely.
6. Perform SEMI-ANNUAL maintenance. Refer to paragraph 6.III.B SEMI-ANNUAL MAINTENANCE.
7. Place the system in service. Refer to Item 4.B, INSTALLATION: PLACING THE VALVE IN SERVICE.

**NOTE: DELUGE VALVES SUPPLIED BY BRACKISH WATER, SALT WATER, FOAM, FOAM/WATER SOLUTION, OR ANY OTHER CORROSIVE WATER SUPPLY, SHOULD BE FLUSHED WITH GOOD QUALITY FRESH WATER BEFORE BEING RETURNED TO SERVICE.**

8. Notify the Authority Having Jurisdiction that the test is complete. Record and/or provide notification of test results as required by the Authority Having Jurisdiction.

### III. Maintenance

**NOTICE: THE OWNER IS RESPONSIBLE FOR MAINTAINING THE FIRE PROTECTION SYSTEM AND DEVICES IN PROPER OPERATING CONDITION. THE DELUGE VALVE MUST BE KEPT FROM FREEZING CONDITIONS AND PHYSICAL DAMAGE THAT COULD IMPAIR ITS OPERATION.**

Where difficulty in performance is experienced, the valve manufacturer or authorized representative shall be contacted if any field adjustment is to be made.

**WARNING: ANY SYSTEM MAINTENANCE WHICH INVOLVES PLACING A CONTROL VALVE OR DETECTION SYSTEM OUT OF SERVICE MAY ELIMINATE THE FIRE PROTECTION CAPABILITIES OF THAT SYSTEM. PRIOR TO PROCEEDING, NOTIFY ALL AUTHORITIES HAVING JURISDICTION. CONSIDERATION SHOULD BE GIVEN TO EMPLOYMENT OF A FIRE PATROL IN THE AFFECTED AREAS.**

### A. After Each Operation:

1. Sprinkler systems that have been subjected to a fire must be returned to service as soon as possible. The entire system must be inspected for damage, and repaired or replaced as necessary.
2. Deluge Valves and trim that have been subjected to brackish water, salt water, foam, foam/water solution, or any other corrosive water supply should be flushed with good quality fresh water before being returned to service.
3. Perform SEMI-ANNUAL maintenance after every operation.



## TECHNICAL DATA

**DELUGE VALVE, MODEL F-1  
STRAIGHT THROUGH STYLE**  
2-1/2" (DN65) - 8" (DN200)

The Viking Corporation, 210 N Industrial Park Drive, Hastings MI 49058

Telephone: 269-945-9501 Technical Services: 877-384-5464 Fax: 269-818-1680 Email: techsvcs@vikingcorp.com

### B. Semi-Annual Maintenance:

1. Remove the system from service. (Refer to Deluge or Preaction System Data that describes systems with the release system used for additional information.)
  - a. Close the Main Water Supply Control Valve (D.1) and Priming Valve (B.1).
  - b. Open the Auxiliary Drain Valve (B.13).
  - c. Relieve pressure in the priming chamber by opening the Emergency Release Valve (B.9).
2. Inspect all trim for signs of corrosion and/or blockage. Clean and/or replace as required.
3. Clean and/or replace all strainer screens (including B.2).
4. Refer to Item 4-B, INSTALLATION: PLACING THE VALVE IN SERVICE.

### C. Every Fifth Year

1. Internal inspection of Deluge Valves is recommended every five years unless inspections and tests indicate more frequent internal inspections are required. Refer to DISASSEMBLY instructions provided below.
2. Internal inspection of strainers and restricted orifices is recommended every five years unless inspections and tests indicate more frequent internal inspections are required.
3. Record and provide notification of inspection results as required by the Authority Having Jurisdiction.

### D. Valve Disassembly (Refer to Figure 2)

1. Remove the valve from service (see the release system description and Technical Data for additional information). Close the main control valve and open the main drain valve. Release the pressure in the priming chamber by opening the Emergency Release Valve.
2. Remove trim as required to allow removal of cover (4).
3. Remove screws (9).
4. Lift cover (4) from body (1).
5. Remove clapper assembly (No. 3, 5, 6, 7, 9, 10, 11) by lifting it from the body (1).
6. Inspect seat (2). If replacement is necessary, remove screws (12). Remove old seat (2) and o-ring (13). Replace with new seat (2) and o-ring (13). Replace screws (12).
7. To replace the diaphragm rubber (6), remove the circle of screws (10). Remove the clamp ring (3) and remove the diaphragm rubber (6).
8. To replace the seat rubber assembly (7), clapper assembly (3, 5, 6, 7, 9, 10, 11) must be removed from the valve. Remove the circle of screws (12). Seat rubber assembly (7) can be removed.

**NOTE: PRIOR TO INSTALLING A NEW CLAPPER RUBBER (6) OR SEAT RUBBER ASSEMBLY (7), MAKE CERTAIN THAT ALL SURFACES ARE CLEAN AND FREE OF FOREIGN MATTER. THE PLATED SEAT (2) MUST BE SMOOTH AND FREE OF NICKS, BURRS OR INDENTATIONS.**

### E. Valve Reassembly

1. Prior to reassembly, flush the valve of all foreign matter.
2. To reassemble, reverse disassembly procedure.

## 7. AVAILABILITY

The Viking Model F-1 Deluge Valve is available through a network of domestic and international distributors. See the Viking Corp. Web site for closest distributor or contact The Viking Corporation.

## 8. GUARANTEES

For details of warranty, refer to Viking's current list price schedule or contact Viking directly.

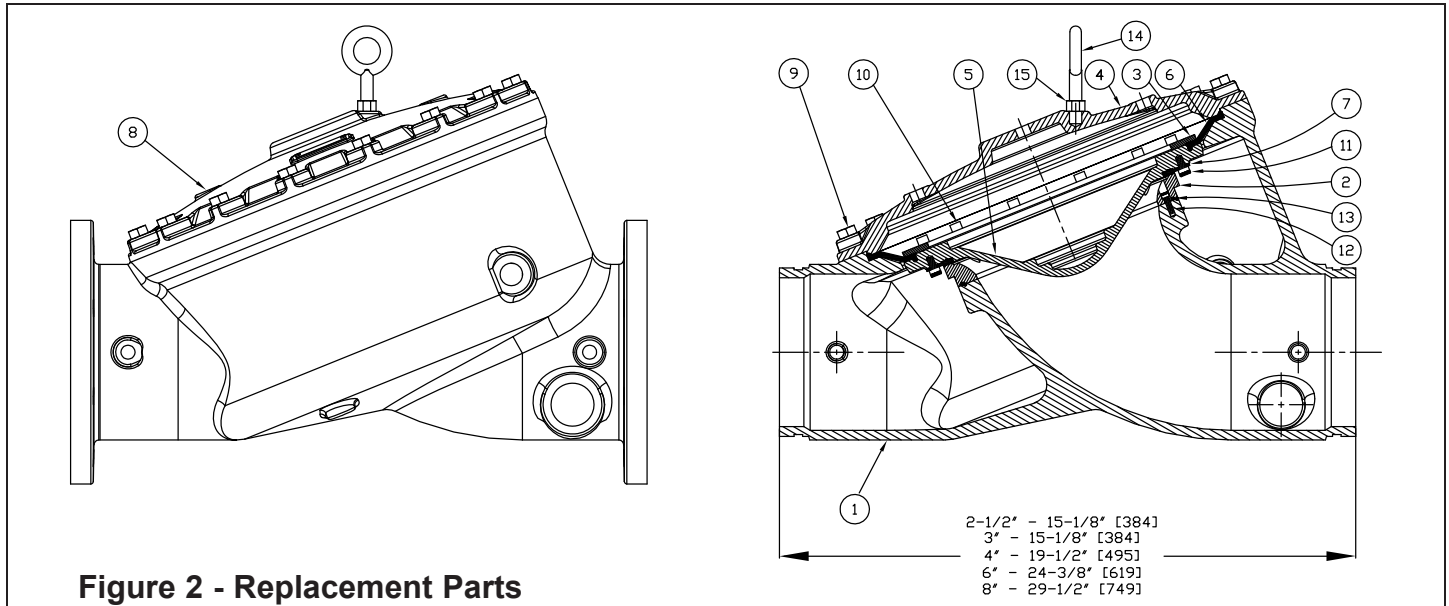


# TECHNICAL DATA

## DELUGE VALVE, MODEL F-1 STRAIGHT THROUGH STYLE 2-1/2" (DN65) - 8" (DN200)

The Viking Corporation, 210 N Industrial Park Drive, Hastings MI 49058

Telephone: 269-945-9501 Technical Services: 877-384-5464 Fax: 269-818-1680 Email: techsvcs@vikingcorp.com



**Figure 2 - Replacement Parts**

ITEM NO.	PART NUMBER				DESCRIPTION	MATERIAL	NO. REQ'D.			
	2-1/2" (DN65) & 3" (DN80)	4" (DN100)	6" (DN150)	8" (DN200)			2-1/2" (DN65) & 3" (DN80)	4" (DN100)	6" (DN150)	8" (DN200)
1	--	--	--	--	Body	Ductile Iron	1	1	1	1
2	*	*	*	*	Seat	Brass	1	1	1	1
3	02493B	02378B	05704B	10514	Ring Clamp, Upper Diaphragm	Brass Casting	1	1	1	1
4	--	--	--	--	Cover	Ductile Iron 65-45-12	1	1	1	1
5	08846N	08844N	08570N	10518N/B	Clapper	Ductile Iron 65-45-12, PTFE Powder Coated	1	1	1	1
6	12012	11560	11561	10510	Upper Diaphragm	EPDM - ASTM D-2000	1	1	1	1
7	02497B	02382B	02176B	10512	Rubber Seat Assembly	EPDM - ASTM D-2000	1	1	1	1
8	--	--	--	--	Data Plate	Aluminum Etched	1	1	1	1
9	02169A				Screw, H.H.C. <sup>1</sup> , 1/2-13 x 1-1/4 (32)	Steel, SAE-Grade 5, ASTM A449	10			
		02200A			Screw, H.H.C. <sup>1</sup> , 1/2-13 x 1 1/2 (38)	Steel, SAE-Grade 5, ASTM A307-90		12		
			05707A	05707A	Screw, H.H.C. <sup>1</sup> , 5/8-11 x 1 3/4 (44)	Steel, SAE Grade 5, ASTM A307-90			15	16
10	02496A				Screw, R.H. <sup>3</sup> , 10-24 x 3/8 (9.5)	Stainless Steel UNS-S30200	6			
		02383A			Screw, H.H.C. <sup>1</sup> , 5/16-18 x 1/2 (13)	Stainless Steel UNS-S30400		8		
			07932		Screw, H.H.C. <sup>1</sup> , 3/8-16 x 1/2 (13)	Stainless Steel UNS-S30400			12	
				11022	Screw, S.H.C. <sup>2</sup> , 3/8-16 x 3/4 (19.1)	Stainless Steel UNS-S31600				12
11	02494A				Screw, R.H. <sup>3</sup> , 10-24 x 1/2 (12.7)	Stainless Steel UNS-S30200	6			
		02383A			Screw, H.H.C. <sup>1</sup> , 5/16-18 x 1/2 (13)	Stainless Steel UNS-S30400		6		
			02454A		Screw, H.H.C. <sup>1</sup> , 3/8-16 x 5/8 (16)	Stainless Steel UNS-S30400			12	
12				11021	Screw, S.H.C. <sup>2</sup> , 3/8-16 x 1/2 (12.7)	Stainless Steel UNS-S30400				12
	*				Screw, R.H. <sup>3</sup> , 10-24 x 5/8 (16)	Stainless Steel UNS-S30200	4			
		*			Screw, H.H.C. <sup>1</sup> , 5/16-18 x 1/2 (13)	Stainless Steel UNS-S30400		8		
13			*	*	Screw, S.H.C. <sup>2</sup> , 1/4-20 x 3/4 (19.1)	Stainless Steel UNS-S31600			8	6
	*	*	*	*	O-Ring	EPDM	1	1	1	1
14	--	--	--	11570	Eye Bolt, 5/8-11-UNC	Carbon Steel				1
15				F01256	Nut, 5/8-11-UNC	Stainless Steel				1

-- Indicates replacement part not available

\* Indicates part available only in sub-assembly listed below

**SUB-ASSEMBLY**

2, 12, 13	14711-3	14711-4	14711-6	14711-8	Seat Replacement Kit*
3, 5-7, 9-11	13488	13490	13492	13484	Clapper Assembly Kit

\*Note: Includes o-ring lubricant to be added to ring groove in seat.

<sup>1</sup> Hex Head Cap Screw

<sup>2</sup> Socket Head Cap Screw, (8" Valve - #10 & 11 must be S.H.C. for clearance with seat)

<sup>3</sup> Round Head, Phillips Drive Screw





# TECHNICAL DATA

**DELUGE VALVE, MODEL F-1  
STRAIGHT THROUGH STYLE**  
2-1/2" (DN65) - 8" (DN200)

The Viking Corporation, 210 N Industrial Park Drive, Hastings MI 49058

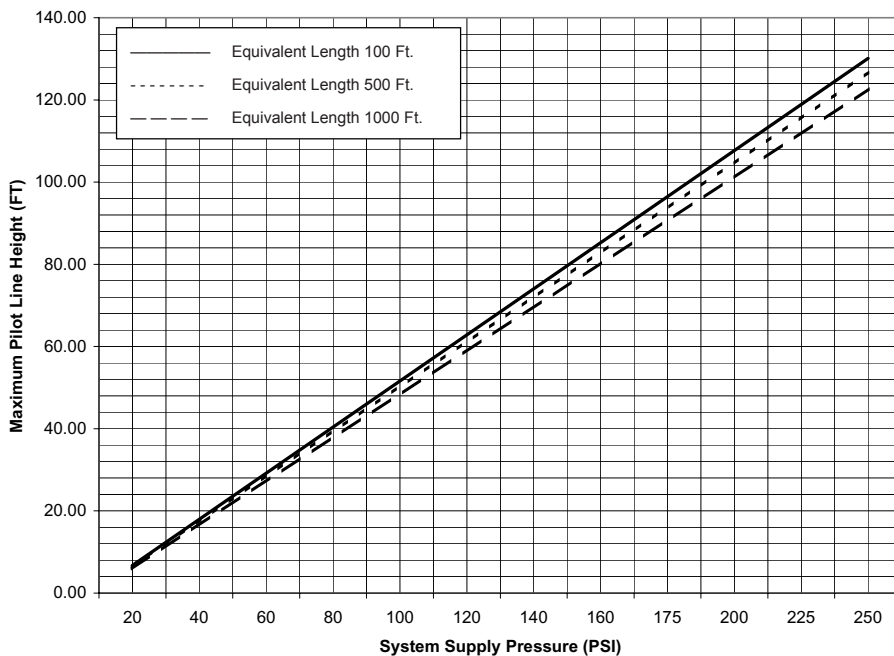
Telephone: 269-945-9501 Technical Services: 877-384-5464 Fax: 269-818-1680 Email: techsvcs@vikingcorp.com

Maximum Allowable Pilot Heights for Select Equivalent Lengths of Hydraulic Release Piping.

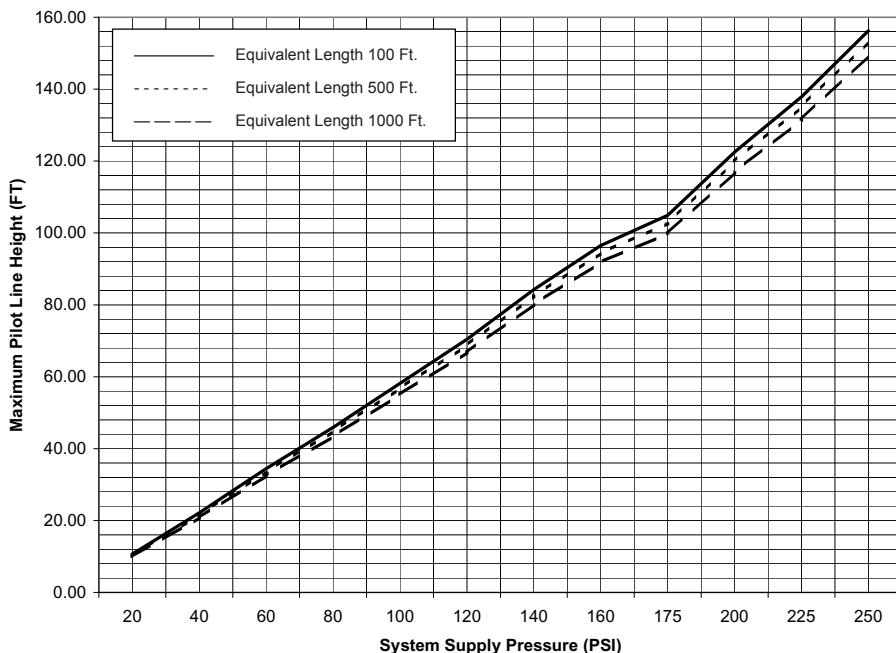
For valves with 1/16" (1.6 mm) Restricted Orifice

Graphs are based on 1/2" (15 mm) pilot sprinklers installed on 1/2" (15 mm) Schedule 40 galvanized released piping.

If the maximum height of hydraulic release piping exceeds the limits shown on the graph, use pneumatic or electric release system



**Figure 3 - 2-1/2" (DN65) & 3" (DN80) Model F-1 Deluge Valves**



**Figure 4 - 4" (DN100) Model F-1 Deluge Valves**



**TECHNICAL DATA**

**DELUGE VALVE, MODEL F-1  
STRAIGHT THROUGH STYLE  
2-1/2" (DN65) - 8" (DN200)**

The Viking Corporation, 210 N Industrial Park Drive, Hastings MI 49058

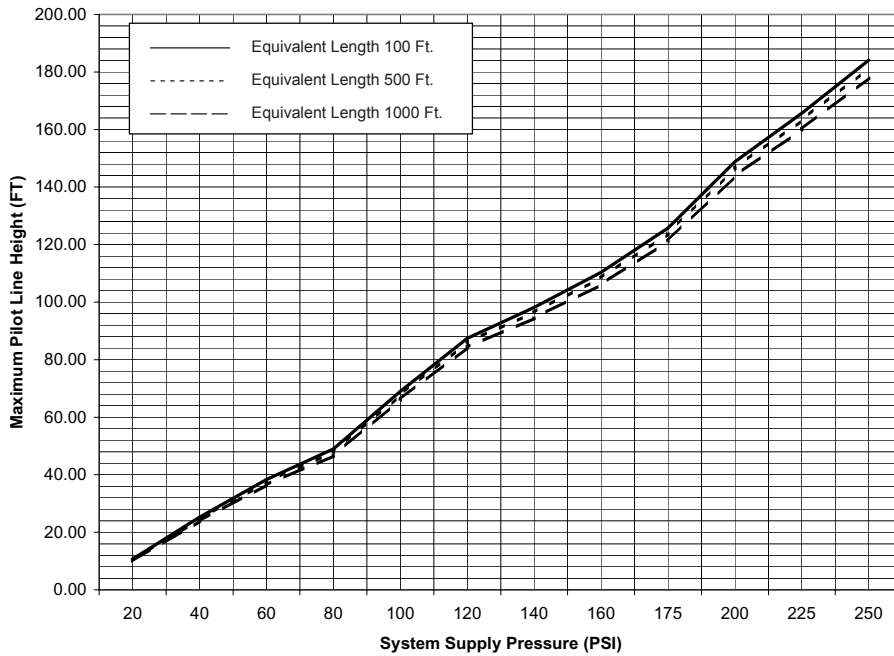
Telephone: 269-945-9501 Technical Services: 877-384-5464 Fax: 269-818-1680 Email: techsvcs@vikingcorp.com

Maximum Allowable Pilot Heights for Select Equivalent Lengths of Hydraulic Release Piping.

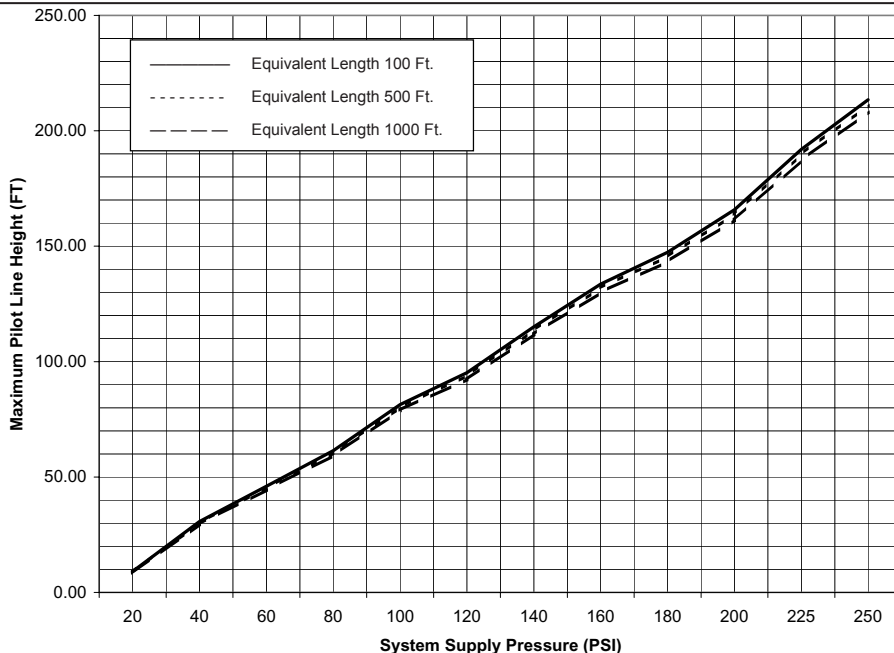
For valves with 1/16" (1.6 mm) Restricted Orifice

Graphs are based on 1/2" (15 mm) pilot sprinklers installed on 1/2" (15 mm) Schedule 40 galvanized released piping.

If the maximum height of hydraulic release piping exceeds the limits shown on the graph, use pneumatic or electric release system



**Figure 5 - 6" (DN150)  
Model F-1 Deluge Valves**



**Figure 6 - 8" (DN200)  
Model F-1 Deluge Valves**