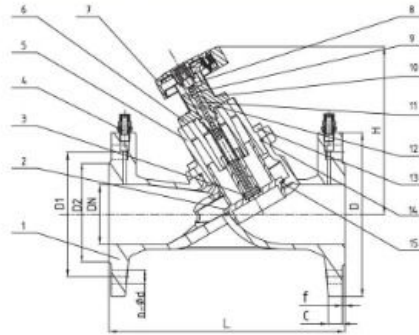


Flange Static Flow Balancing Valve (PHF), PN10/16



PHF

- Design standard : BS 7350, BS EN 13789
- Connection Ends: Flange to BS EN 1092-2:1997
- Working Pressure: PN10/16
- Temperature Range: -10°C- 120°C
- Coating: Fusion Bonded Epoxy Coating in accordance with ANSI/AWWA C550



MATERIAL SPECIFICATION

Part No.	Part	Standard Specification	Options
1	Valve Body	EN-GJS-450-10	
2	Disc	Brass HPb59-1	
3	Disc Screw	Brass HPb59-1	
4	Pressure Mouth	Brass HPb59-1	
5	Cover	Brass HPb59-1	
6	Gland	Brass H59	
7	Handwheel	PA GF30	
8	Valve Stem	Brass HPb59-1	
9	O-Ring	NBR	EPDM
10	Socket Head Bolts	Stainless Steel	
11	Adjusting Screw	Brass HPb59-1	
12	O-Ring	NBR	EPDM
13	Socket Head Bolts	Stainless Steel	
14	O-Ring	NBR	EPDM
15	O-Ring	NBR	EPDM

Note: For special material request other than standard specification, please indicate clearly on the inquiry or order list.

Inch	mm	PN	Dimensions (mm)								Turns to Open
			L	H	D	D1	D2	C	f	n-Φd	
2.5"	65	10/16	290	185	185	145	118	19	3	4-Φ19	8.0
3"	80	10/16	310	225	200	180	132	19	3	8-Φ19	7.0
4"	100	10/16	350	240	220	180	156	19	3	8-Φ19	8.0
5"	125	10/16	400	280	250	210	184	19	3	8-Φ19	8.0
6"	150	10/16	460	300	285	240	211	19	3	8-Φ23	8.0
8"	200	16	800	450	340	295	266	20	3	12-Φ23	11.0
10"	250	16	730	500	395	350	319	22	3	12-Φ23	12.0
					405	355				12-Φ28	
12"	300	16	850	550	445	400	370	24.5	4	12-Φ23	16.0
					460	410				12-Φ28	

Kv Valve

Turns	DN65	DN80	DN100	DN125	DN150	DN200	DN250	DN300
0.5	5.25	5.62	6.75	12.53	13.95	16.95	25.56	—
1	6.6	7.1	9.59	16.1	20.92	23.99	38.35	—
1.5	7.27	11.35	13.06	18.65	40.8	26.56	46.39	—
2	7.52	15.9	16.23	22.66	61.63	27.73	70.5	—
2.5	8.74	19.46	21.53	37.93	78.3	64.89	92.96	—
3	10.92	20.85	31.51	49.94	93.27	103.45	118.13	150
3.5	12.52	21.54	43.33	61.56	115.67	142.84	137.86	230
4	16.81	35.64	59.78	98.05	176.22	180.7	140.78	300
4.5	27.99	56.39	88.91	138.35	229.09	235.18	155.16	370
5	41.13	71.26	102.2	157.86	264.37	302.83	218.04	450
5.5	48.27	82.26	118.78	171.53	295.9	349.95	305.13	535
6	53.53	93.14	135.45	201.14	321.68	398.94	367.7	620
6.5	54.21	101.89	150.46	229.62	339.38	451.81	412.42	690
7	59.66	107.92	164.24	246.41	359.75	504.36	470.32	750
7.5	64.8	—	178.1	266.38	379.97	547.39	530.14	815
8	70.65	—	188.06	280.3	407.04	561.53	601.35	890
8.5	—	—	—	—	—	590.88	609.96	930
9	—	—	—	—	—	632.76	725.97	970
9.5	—	—	—	—	—	663.03	795.4	1005
10	—	—	—	—	—	690.38	843.75	1040
10.5	—	—	—	—	—	—	897.44	1080
11	—	—	—	—	—	—	948.39	1120
11.5	—	—	—	—	—	—	1004.88	1160
12	—	—	—	—	—	—	1056.54	1200
13	—	—	—	—	—	—	—	1320
14	—	—	—	—	—	—	—	1370
15	—	—	—	—	—	—	—	1400
16	—	—	—	—	—	—	—	1450